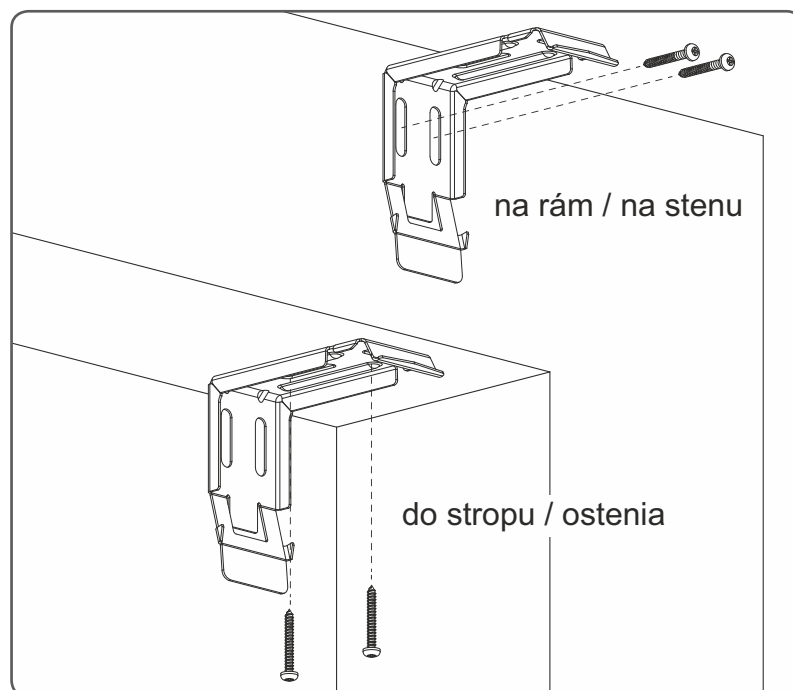
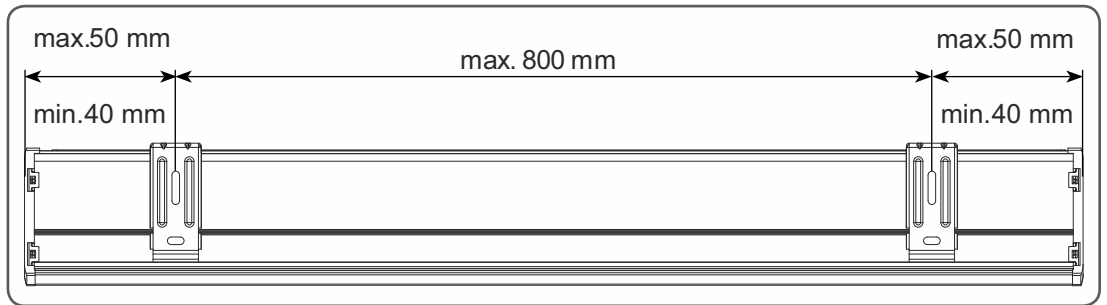
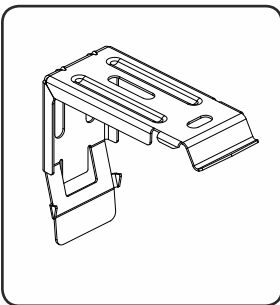
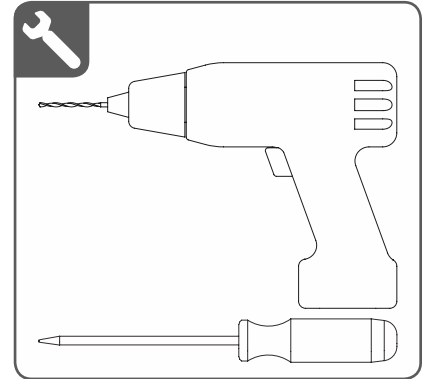
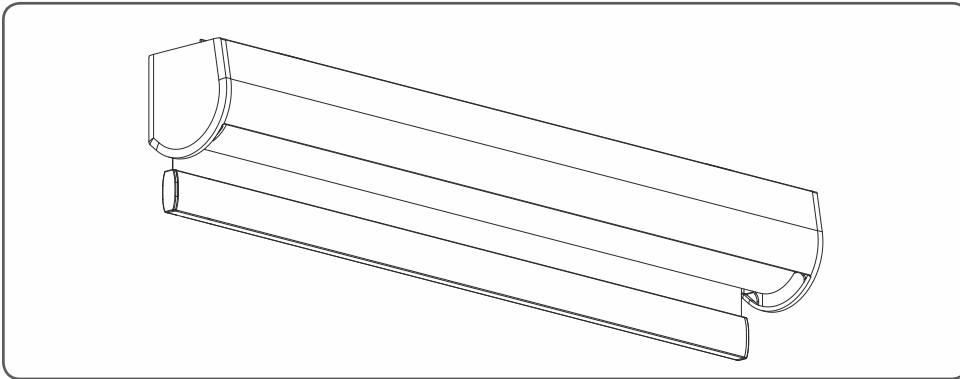
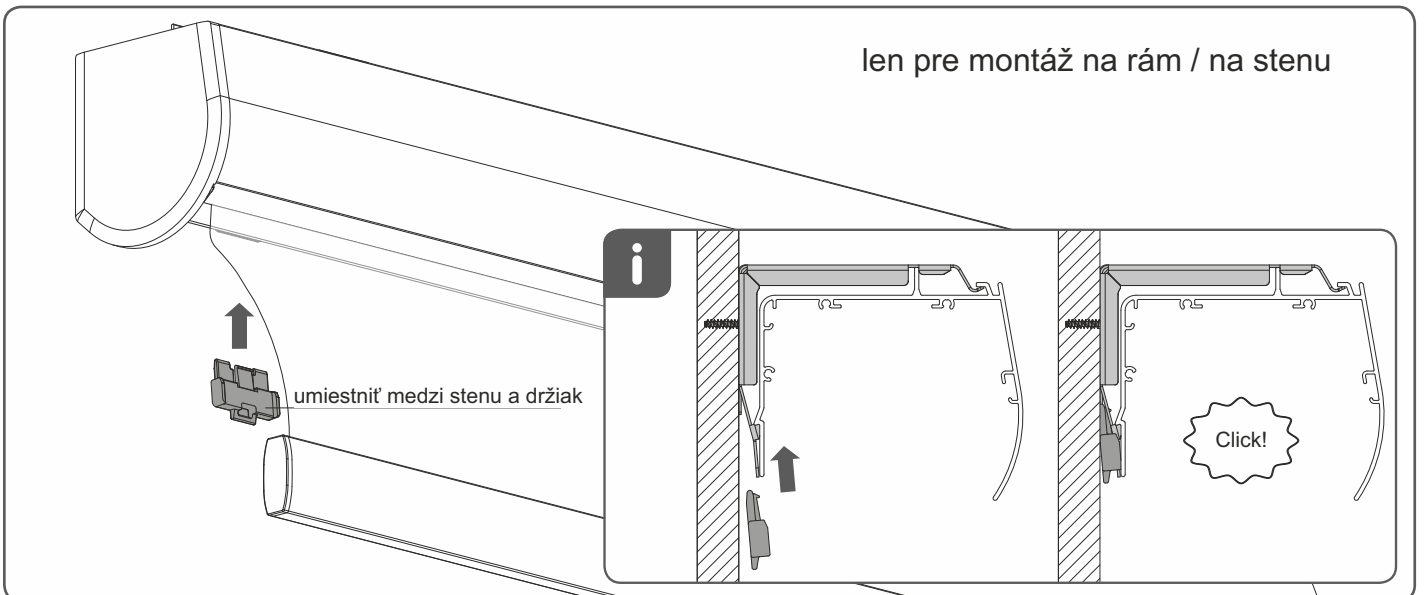
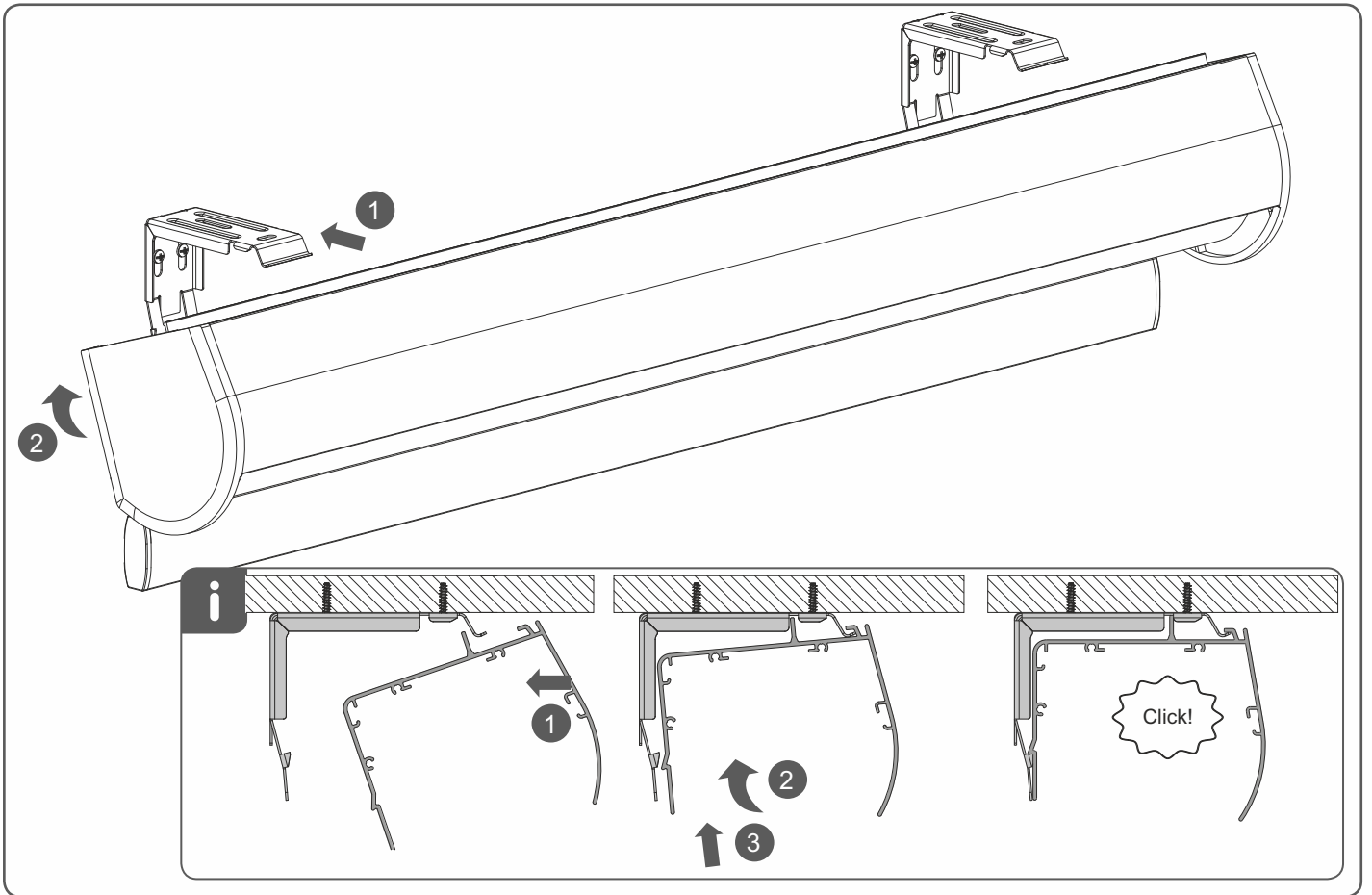
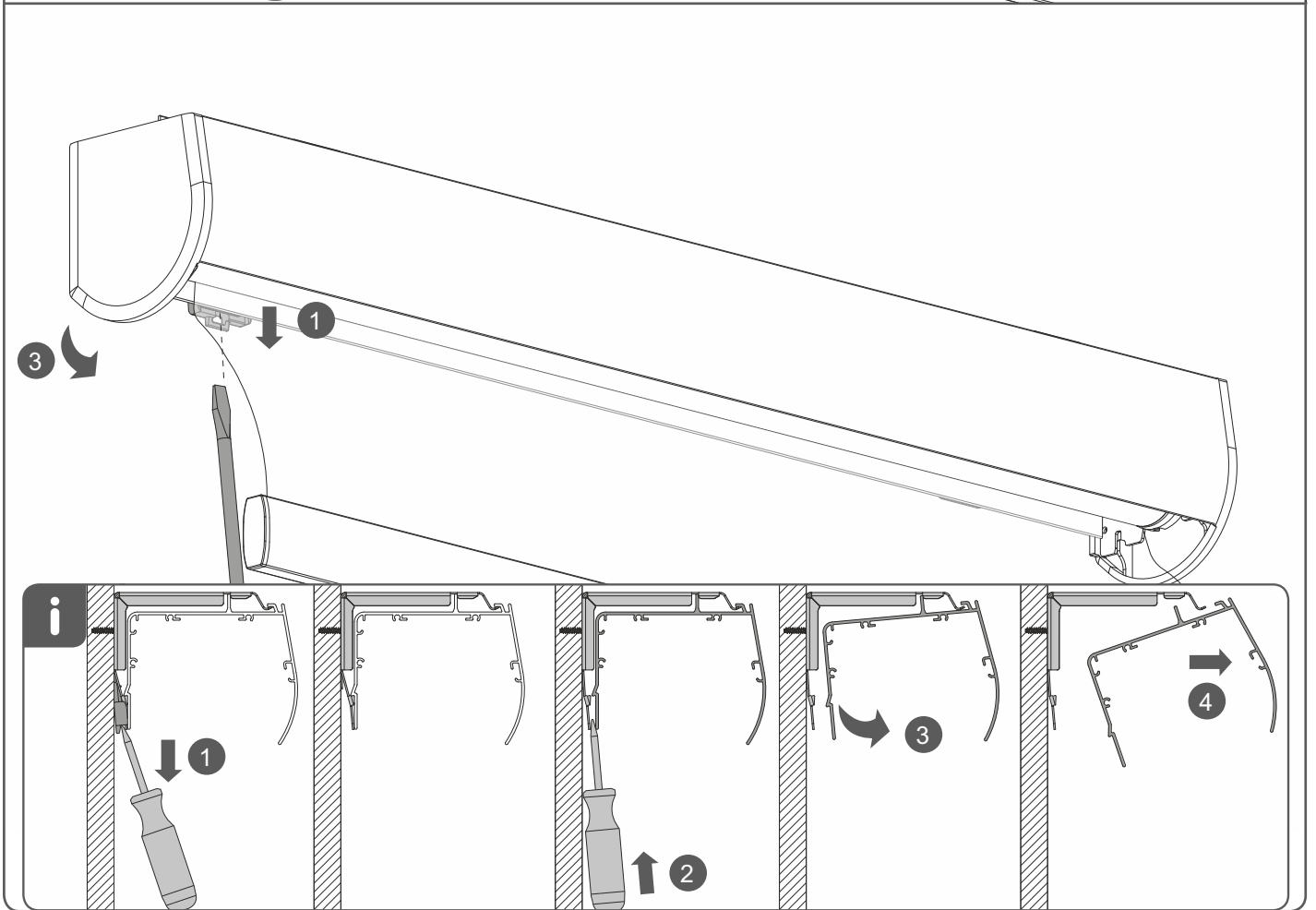
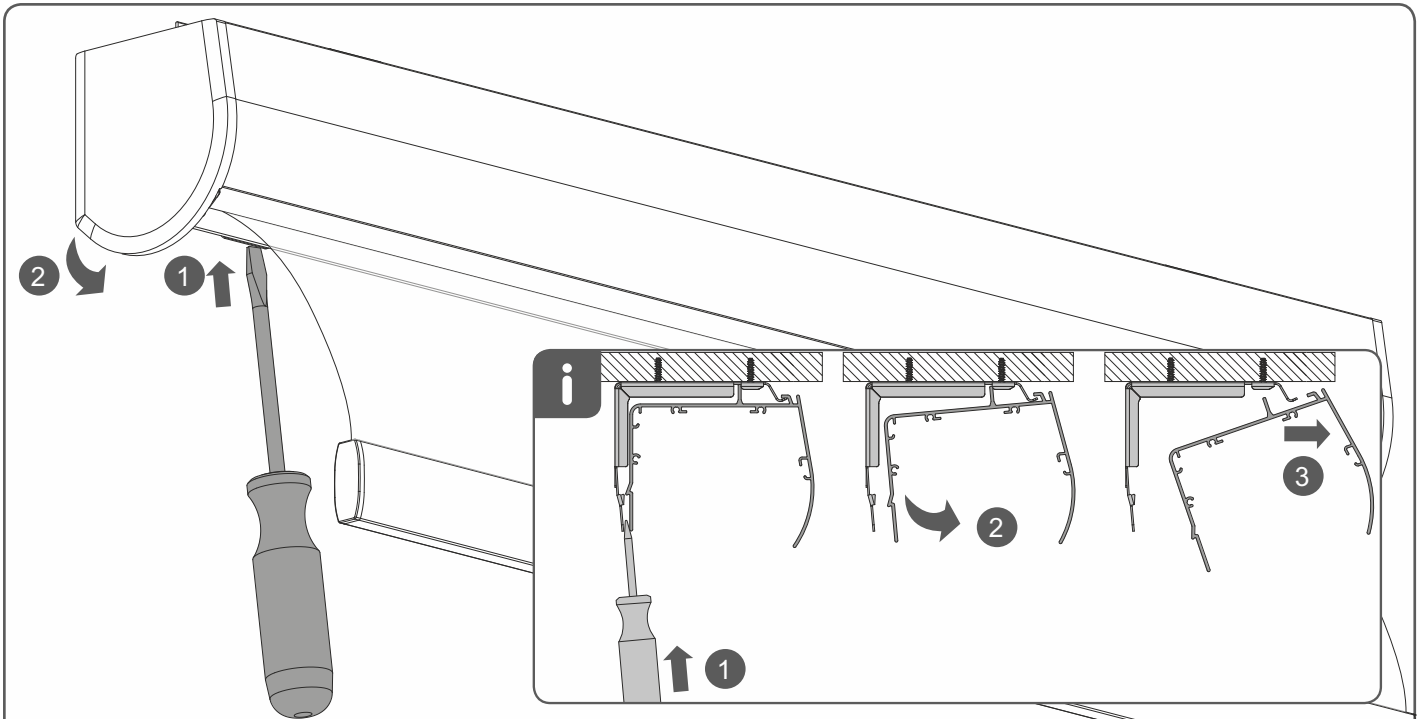


pružinové rolety GEMINI



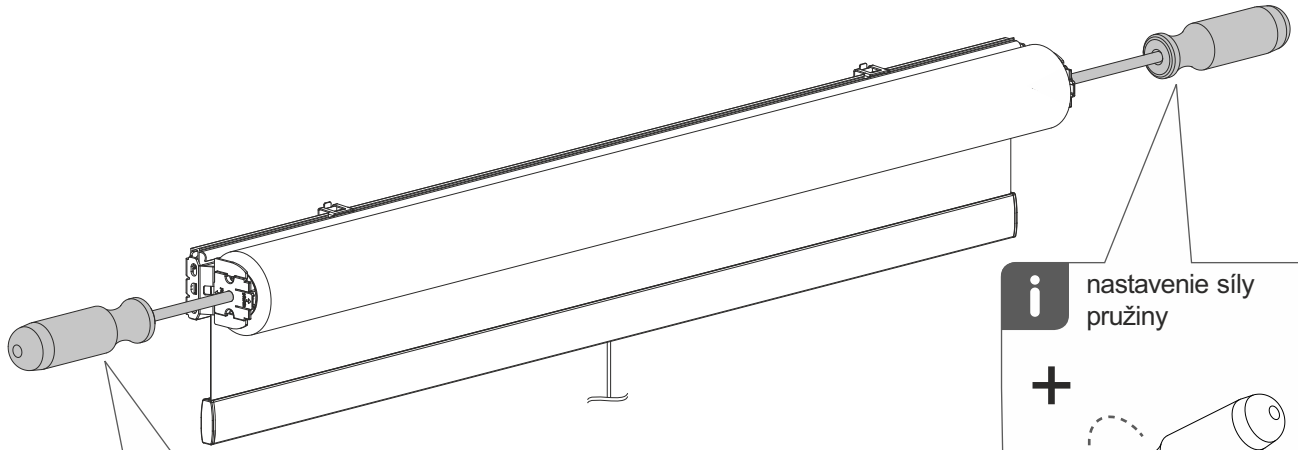


DEMONTÁŽ



Nastavenie pružiny

1. zložte bočné krytky



i nastavenie horného dorazu

vyššie

nižšie

Two diagrams showing the adjustment of the top stop. The top diagram shows the stop being rotated clockwise, indicated by a dashed arrow, with the word 'vyššie' (higher) next to it. The bottom diagram shows the stop being rotated counter-clockwise, indicated by a dashed arrow, with the word 'nižšie' (lower) next to it.

i nastavenie sily pružiny

+

-

Two diagrams showing the adjustment of the spring force. The top diagram shows the spring force being increased, indicated by a dashed arrow and a '+' sign. The bottom diagram shows the spring force being decreased, indicated by a dashed arrow and a '-' sign.